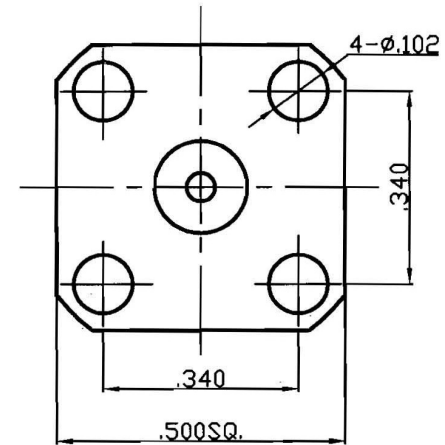
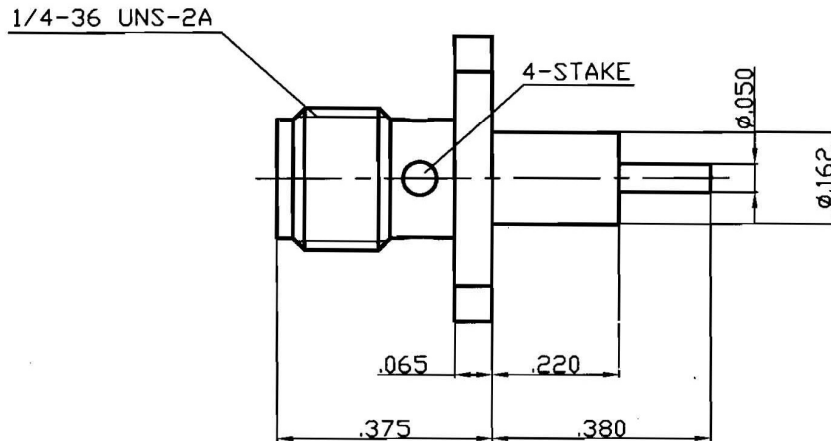


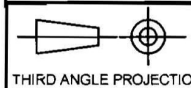
- 1.0 PERFORMANCE
- 1.3 TEMPERATURE RANGE: -50° C TO +155° C
- 1.4 NOMINAL IMPEDANCE: 50 OHMS
- 1.5 INSULATION RESISTANCE: 5000M OHMS
- 2.0 MATERIALS
- 2.1 DIELECTRIC: PTFE

- 2.2 CENTER CONTACT: BeCu B-196 (ASTM)
- 2.3 BODY: BRASS B-16 (ASTM)
- 3.0 FINISHES
- 3.1 CENTER CONTACT: GOLD PLATED 30 MICROINCHES
- 3.2 BODY: GOLD PLATED 10 MICROINCHES



THIS DRAWING CONTAINS CONFIDENTIAL INFORMATION PROPRIETARY TO SDT INC. IT MUST NOT BE REPRODUCED OR DISCLOSED TO OTHERS OR USED IN ANY OTHER WAY, IN WHOLE OR PART EXCEPT AS AUTHORIZED IN WRITING BY SDT INCORPORATED.

UNLESS OTHERWISE SPECIFIED:  
ALL DIMENSIONS ARE IN INCHES  
ALL DIMENSIONS ARE AFTER PLATING.  
ALL MACHINED SURFACES  $\sqrt{\text{V}}$  MAX.  
ALL TOLERANCES  $\pm .005$



DWN	YHJ	07/20/05
CHKD	SJG	07/20/05
APPR	SJG	07/20/05

**DeviceTec, Inc.**  
7108 S Alton Way Bldg L Suite C Centennial, CO 80112  
303-690-9044 info@devicetec.net

TITLE **SMA PANEL MOUNT JACK**

MATERIAL: FINISH:

DO NOT SCALE DRAWING DWG NO. SDT 22407-0BD REV. 2  
132146-14