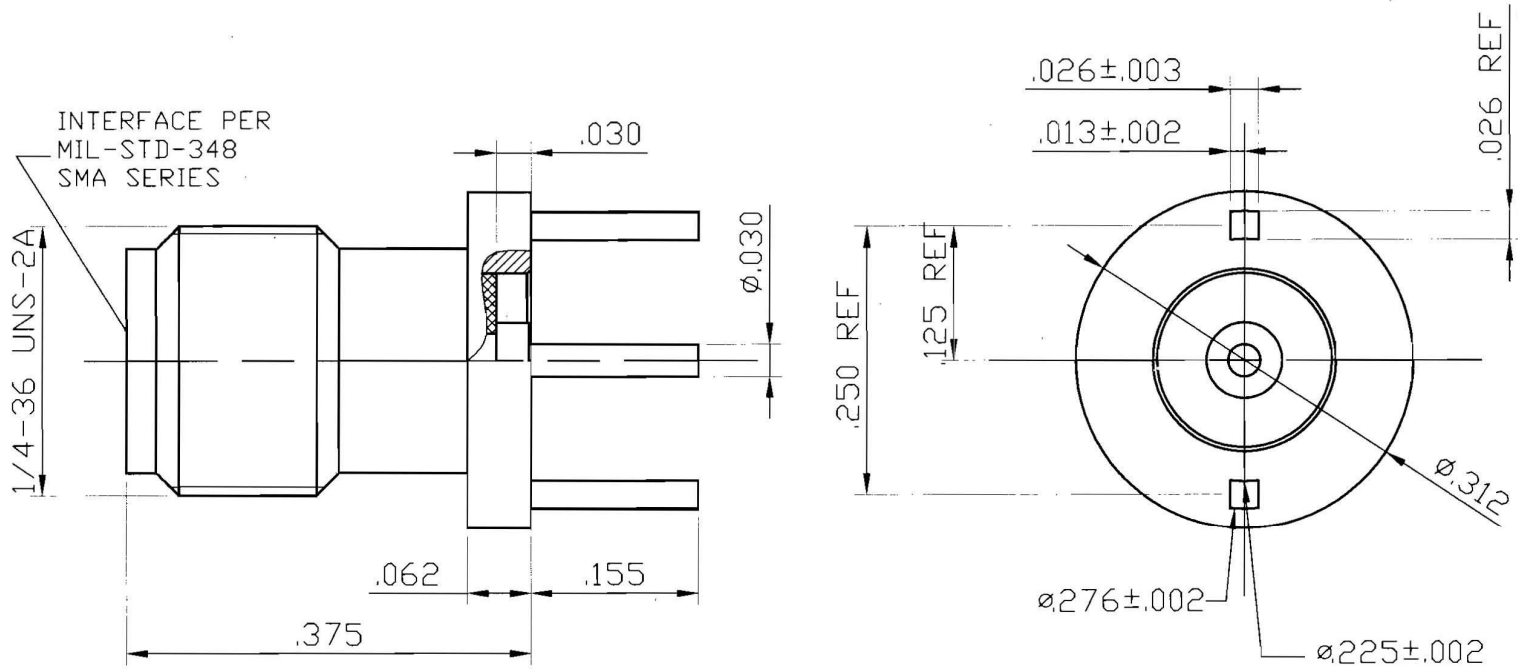


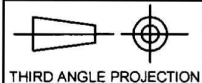
- 1.0 PERFORMANCE
- 1.1 VOLTAGE RANGE: 335V RMS (sea level)
- 1.2 DWV: 1000V RMS
- 1.3 TEMPERATURE RANGE: -65° C TO +165° C
- 1.4 INSULATION RESISTANCE: 5000M OHMS
- 1.5 IMPEDANCE: 50 OHMS
- 1.6 FREQUENCY RANGE: DC-18 GHz
- 1.7 VSWR: 1.062(-30dB), MAX

- 2.0 MATERIALS
- 2.1 DIELECTRIC: PTFE
- 2.2 CENTER CONTACT: BeCu, ASTM B196
- 2.3 BODY : BRASS, ASTM B16
- 3.0 FINISHES
- 3.1 CENTER CONTACT: GOLD PLATED 30 MICROINCH THICKNESS
- 3.2 BODY : GOLD PLATED 10 MICROINCH THICKNESS



THIS DRAWING CONTAINS CONFIDENTIAL INFORMATION PROPRIETARY TO SDT INC. IT MUST NOT BE REPRODUCED OR DISCLOSED TO OTHERS OR USED IN ANY OTHER WAY, IN WHOLE OR PART EXCEPT AS AUTHORIZED IN WRITING BY SDT INCORPORATED.

UNLESS OTHERWISE SPECIFIED:  
 ALL DIMENSIONS ARE IN INCHES  
 ALL DIMENSIONS ARE AFTER PLATING.  
 .XXX±.005 ALL MACHINED SURFACES  $\sqrt{R}$  MAX.  
 .XX±.01 ANG. ±1/2° FRACTIONAL = ±1/64



DWN	LY	01/20/06
CHKD	YHJ	01/20/06
APPR	YHJ	01/20/06

<b>DeviceTec, Inc.</b>		
7108 S Alton Way Bldg L Suite C Centennial, CO 80112 303-690-9044 info@devicetec.net		
TITLE <b>SMA PCB-MOUNT, JACK, 2 LEGS</b>		
MATERIAL:		FINISH:
DO NOT SCALE DRAWING	DWG NO. <b>22305-0H 922-00480-005</b>	REV. <b>1</b>